

# TWISTGLASS

## Flexibility in twisting



**TWISTE**CHNOLOGY®

# Twistech technology the answer to your twisting needs

## The company

### Experience and innovation

TWISTECHOLOGY is a Spanish company with more than 60 years experience in the design and construction of twisting machines.

The company uses in-house technology and patents to convert current production process into more efficient, versatile and economic twisting procedures.

### International Quality

The firm is fully involved in ensuring the quality of its products and services. From 1999 Twistech technology is certified under the ISO-9001 standard.

However, our best guarantee is the international recognition of our customers in more than 45 countries.

### Customer Concerns

Twistech technology takes care of each of its customers. They receive excellent treatment as they are the most important for the company.



Production parameters easily adjustable by computer.



## The philosophy

### MACHINES ADAPTED TO SPECIAL CUSTOMER REQUIREMENTS

As our company is very flexible, we can easily adapt our machines to special customer requirements.

Other machinery manufacturers consider production must be adapted to their technology. Our opinion is completely different. Twistech technology knows that every customer has special needs during the productive process. Our aim is to give you solutions in your twisting process.

Technology must serve production needs.

# Take advantage from our experience in twisting

**Special transmission system for maximum efficiency.**



**Long-life for motors.  
Minimum maintenance.**

## Special Spindle Group

Our wide experience in ring twisting has taught us that the best transmission system is an independent spindle.

### Our spindle group is composed of:

- spindle with textile standard bearings.
- an independent standard asynchronous motor connected to the spindle through a belt.
- a pneumatic brake.

### Independence of spindle from motor and brake has several advantages as:

- Motor works at optimum speed without spindle load.
- Brake stops directly spindle without damaging drive shaft.
- Spindle vibrations are absorbed by spindle bearings not by motor bearings.

By eliminating vibrations and load to the motor we avoid damaging motor. This system prolongs lifetime of all components, reducing time and cost maintenance.

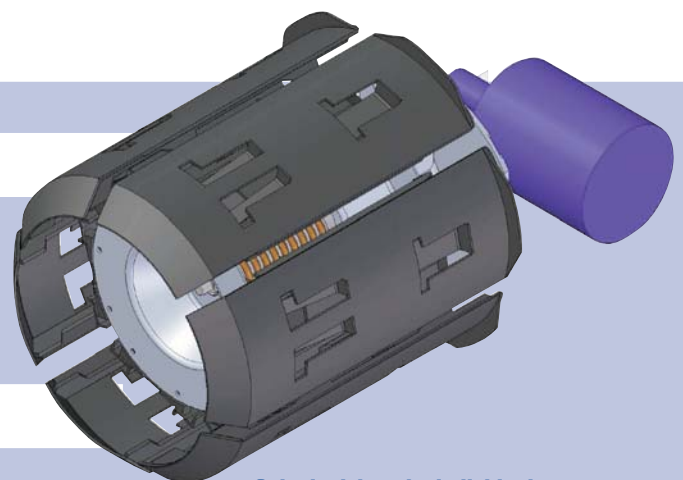
## Cake

Patented cake holder designed to easily secure bobbin to the creel.  
Support can be adapted for different diameter bobbins.

## Computer

Computer parameters are prepared to be easily adapted to customer specifications.

Independent S/Z twist direction per side.



**Cake is driven by individual motor.**

# Twistglass: your fiber glass friendly machine

## Low Maintenance

Twistglass has been designed to reduce time and cost maintenance.

We have always been specialized in making very robust, simply designed machinery. All sections have been carefully developed to be easy to operate and to avoid damage by intensive use.

**Our special spindle group is designed to enlarge life of motor, spindle and brake.**

Moreover, motor is located in a very accessible place in order to be easily and quickly changed if necessary.

## Standard Components

Standard components, to give you the freedom to buy spare parts in any part of the world, with the consequent saving in time and costs.

Most Twistglass components are standard pieces on the market made by the best international manufacturers.

Twisttechnology's philosophy is giving answers to the twisting process. Our business is selling solutions and not spare parts.

**Save time and money in spare parts.**



**2 independent sides means 2 different productions if desired. S/Z at the same time.**

## Training And Technical Support

- Laboratory test in Twisttechnology to make trials with your own yarn.
- Training and production advice from our specialized technicians to your staff.
- Technical Support for any doubt, problem or new need at any time from our Technical Support Service.

## Optional

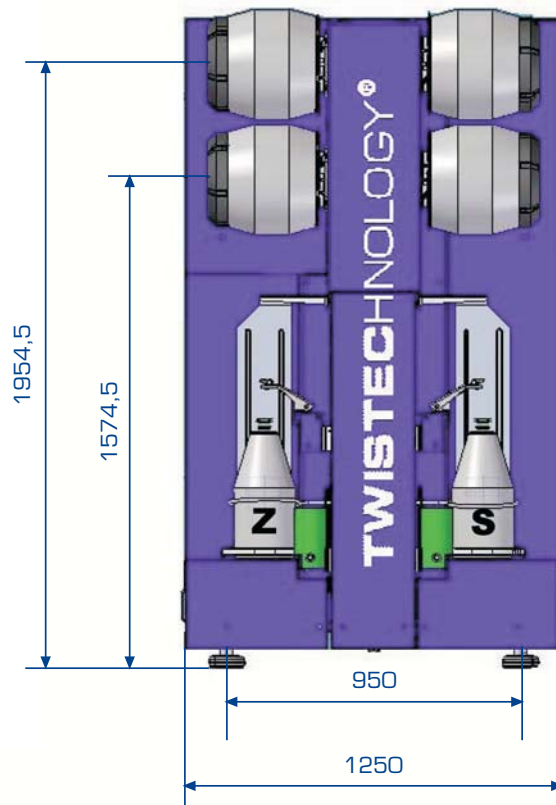
- Drying system: through hot air, infrared or customised system.
- We can study any special requirement that you need.

# Machine view

High Quality

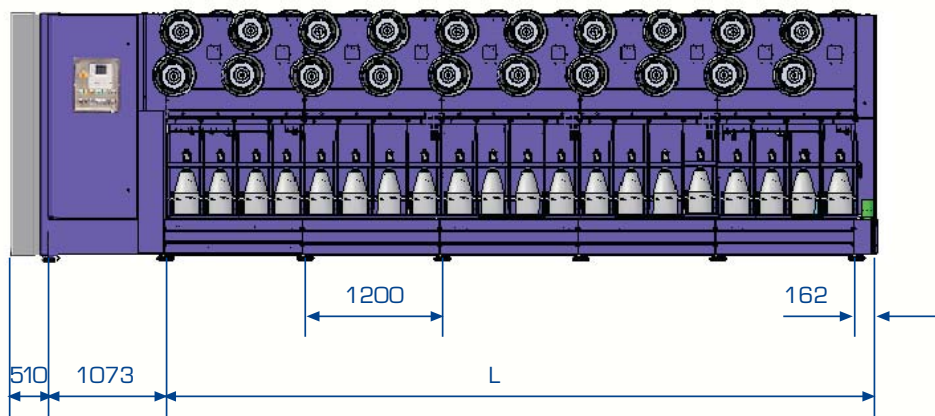
Friendly machine

Minimum Maintenance



Very easy to work

Standard components



## TECHNICAL DETAILS

Machine capacity	Number of Spindles		from 8 up to 180
	Spindles per sections		8 - 12
	Number of Sections		from 1 up to 15
Yarn Twist	Range of counts	tex	5.5 - 500
	Range of twists	tpm	10 - 150
	Twist Direction		S / Z
Ring Features	Spindle Gauge	mm	220 - 300 (others on request)
	Ring Diameter	mm	127 - 165 - 216 - 220 (others on request)
	Ring Height	mm	4.2 - 6.3 - 9.5 - 16.7
Cake	Yarn Bobbin Weight	kg	max. 16
	Yarn Bobbin Diameter	mm	max. 360
	Tube lenght	mm	max. 350
	Inside tube diameter	mm	250 - 300 (others on request)
Final Bobbin	Winding traverse	mm	400
	Weight	kg	max. 9
Speed	Spindle speed	rpm	1500 - 6000
	Cake speed	rpm	40 - 400
	Ring rail speed	m/min	0,25 - 3.00

## Complete Range For Twisting Fiber Glass

Twisttechnology can supply ring twisters, up & downtwisters, twisting machines for textured fiber glass and all the complete range of twisters for glass yarn.

TWISTGLASS  
machine



Laboratory TWISTGLASS Machine



Laboratory Up&Down Twisting Machine



Laboratory Ring Twisting Machine



Ring Twisting Machine



**TWISTTECHNOLOGY®**

Tel. +34 93 789 41 00 · Fax +34 93 789 43 55  
e-mail: info@twisttechnology.com

[www.twisttechnology.com](http://www.twisttechnology.com)